



Smart Lighting Solutions

On The Brighter Side

CE ISO 9001

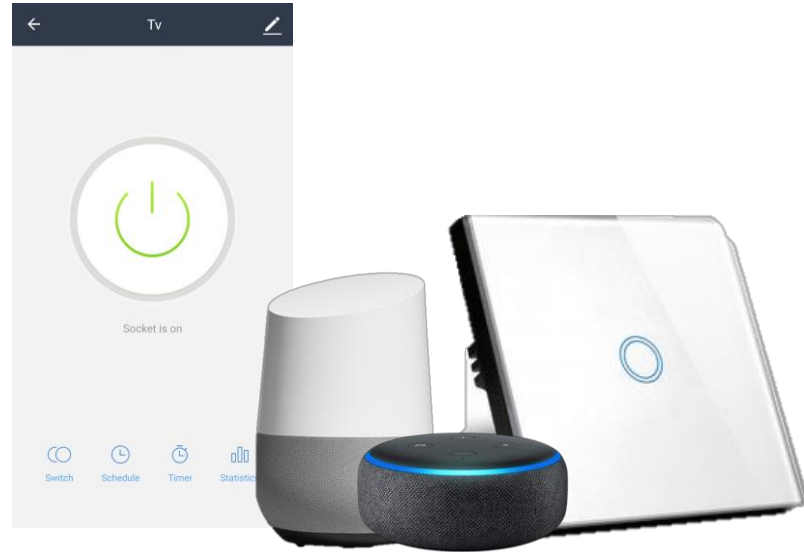
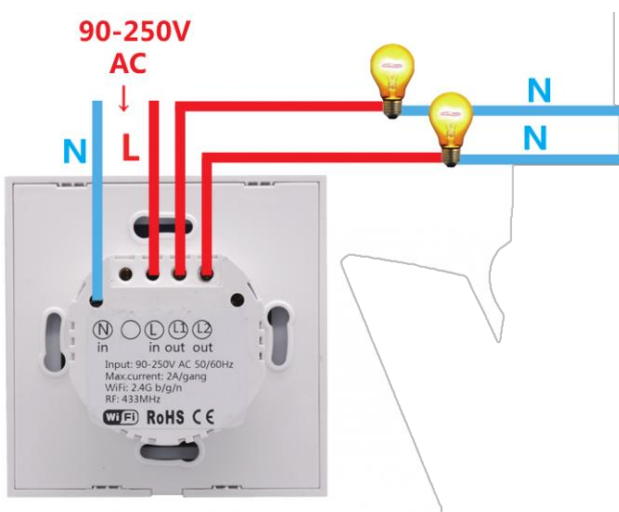
DESCRIPTION:

QR-PIXEL, Smart Wi-Fi Touch Switch lets you turn your connected device On/OFF, with the Qlite App, and with the installation of accessories, in responds to voice commands. It supports 2-way and 3-way communication. It is also able to monitor your energy consumption, allowing you to save power.

SPECIFICATIONS

- One to Four channel switching controller.
- Universal Socket
- Energy Monitoring Functions.
- Consists of 1 to 4 switches.
- Schedule the timing ON/OFF
- Input voltage : AC 110-240 50/60Hz
- Rated Load – 625W/Gang
- Wireless Type: WIFI 2.4 Ghz
- Wireless standard :IEEE 802.11 b/g/n
- WIFI range 30M
- Size – 86x86x34 mm.

Wiring Diagram



ADVANTAGES:

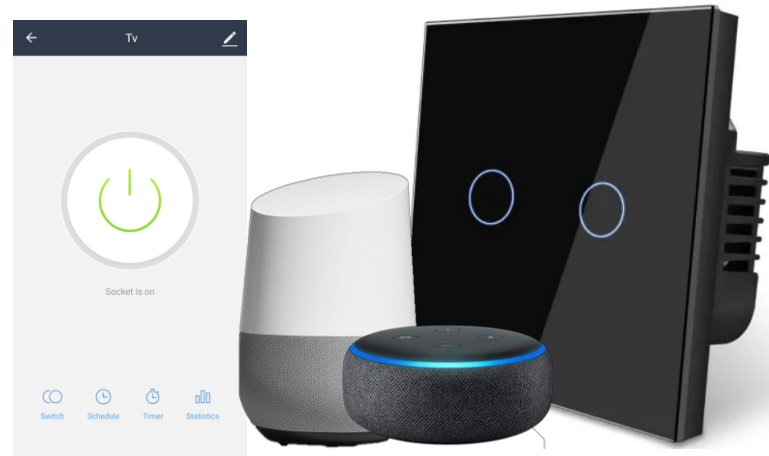
- Easy Installation - Quick installation with step-by-step guide.
- Hand-free Voice Control – Compatible with Amazon Alexa and Google home. Make your hand-free smart home life more convenient and easier.
- You can set the Timer and Schedule of the smart switches from anywhere. All QR Pixel smart switches can be combined in one group, so you can on/off different switchess with one click.
- Elimination of Vampire draw or phantom load as the Smart Socket identifies devices that consume power even when they are supposed to be powered off.
- Real time status Real time display of energy consumption of the device, ensuring energy saving.

DESCRIPTION:

QR-PIXEL, Smart Wi-Fi Touch Switch lets you turn your connected device On/OFF, with the Qlite App, and with the installation of accessories, in responds to voice commands. It supports 2-way and 3-way communication. It is also able to monitor your energy consumption, allowing you to save power.

SPECIFICATIONS

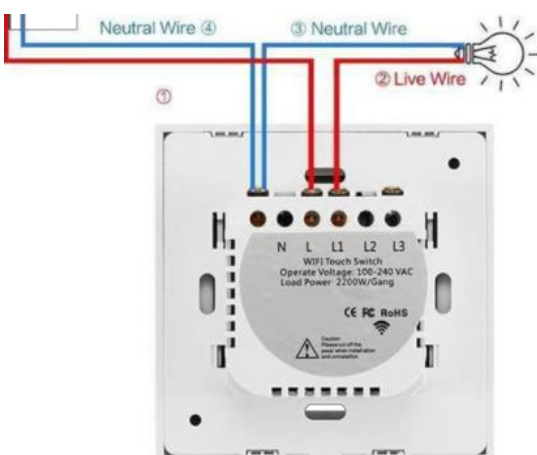
- Two channel switching controller.
- Universal Socket
- Energy Monitoring Functions.
- Consists of 2 switches.
- Schedule the timing ON/OFF
- Input voltage : AC 110-240 50/60Hz
- Max Load : 1250W
- Rated Load – 625W/Gang
- Wireless Type: WIFI 2.4 Ghz
- Wireless standard :IEEE 802.11 b/g/n
- WIFI range 30M
- Size – 86x86x34 mm.



ADVANTAGES:

- Easy Installation - Quick installation with step-by-step guide.
- Hand-free Voice Control – Compatible with Amazon Alexa and Google home. Make your hand-free smart home life more convenient and easier.
- You can set the Timer and Schedule of the smart sockets from anywhere. All QR Pixel smart sockets can be combined in one group, so you can on/off different sockets with one click.
- Elimination of Vampire draw or phantom load as the Smart Socket identifies devices that consume power even when they are supposed to be powered off.
- Real time status Real time display of energy consumption of the device, ensuring energy saving.

Wiring Diagram



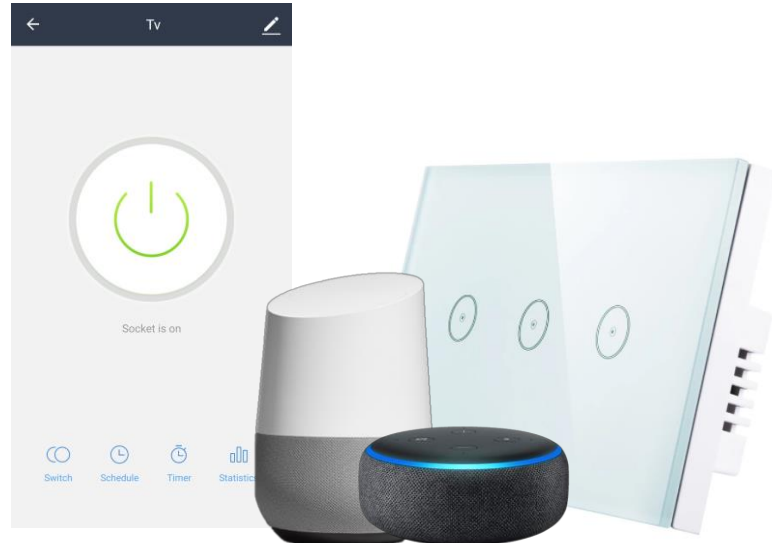
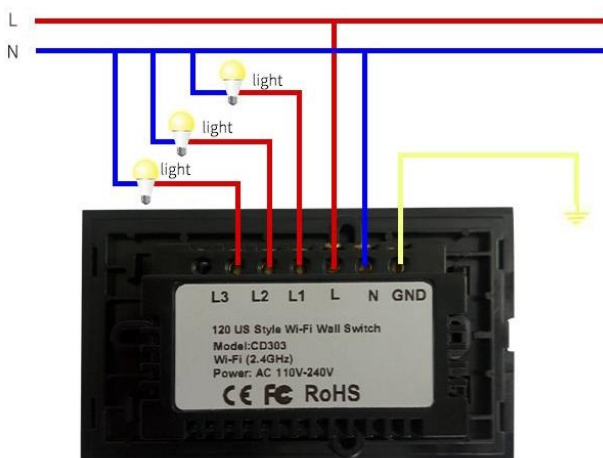
DESCRIPTION:

QR-PIXEL, Smart Wi-Fi Touch Switch lets you turn your connected device On/OFF, with the Qlite App, and with the installation of accessories, in responds to voice commands. It supports 2-way and 3-way communication. It is also able to monitor your energy consumption, allowing you to save power.

SPECIFICATIONS

- Three channel switching controller.
- Universal Socket
- Energy Monitoring Functions.
- Consists of 3 switches.
- Schedule the timing ON/OFF
- Input voltage : AC 110-240 50/60Hz
- Rated Load – 625W/Gang
- Max Load – 1875W
- Wireless Type: WIFI 2.4 Ghz
- Wireless standard :IEEE 802.11 b/g/n
- WIFI range 30M
- Size – 86x86x34 mm.

Wiring Diagram



ADVANTAGES:

- Easy Installation - Quick installation with step-by-step guide.
- Hand-free Voice Control – Compatible with Amazon Alexa and Google home. Make your hand-free smart home life more convenient and easier.
- You can set the Timer and Schedule of the smart sockets from anywhere. All QR Pixel smart sockets can be combined in one group, so you can on/off different sockets with one click.
- Elimination of Vampire draw or phantom load as the Smart Socket identifies devices that consume power even when they are supposed to be powered off.
- Real time status Real time display of energy consumption of the device, ensuring energy saving.

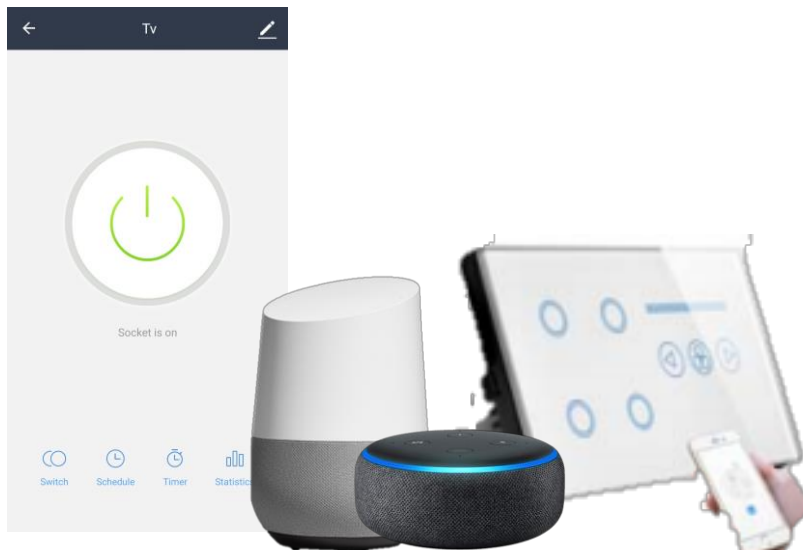
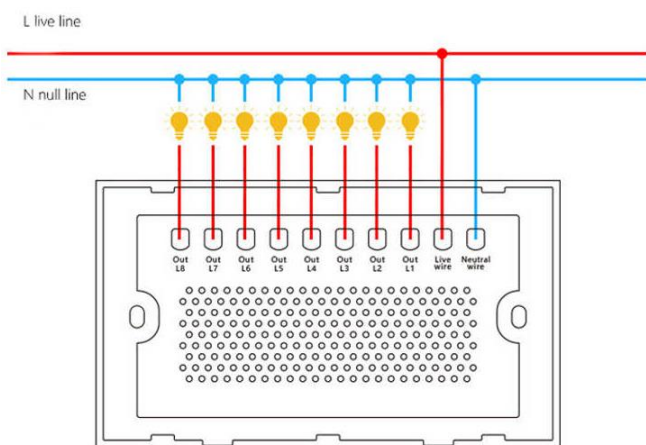
DESCRIPTION:

QR-PIXEL, Smart Wi-Fi 4 Gang Touch Switch with fan controller lets you turn your connected device On/OFF and can also control the switching and speed of your fan with the Qlite App, and with the installation of accessories, in responds to voice commands. It supports 2-way and 3-way communication. It is also able to monitor your energy consumption, allowing you to save power.

SPECIFICATIONS

- Four channel switching controller.
- Fan Switching Function.
- Energy Monitoring Functions.
- Schedule the timing ON/OFF
- Input voltage : AC 110-240 50/60Hz
- Rated Load – 600W (Fan Controller) + 2500W (4 Gang Switch)
- Wireless Type: WIFI 2.4 Ghz
- Wireless standard :IEEE 802.11 b/g/n
- WIFI range 30M
- Color - White, Black colored glass touch panel.
- Size – 86x86x34 mm.

Wiring Diagram



ADVANTAGES:

- Easy Installation - Quick installation with step-by-step guide.
- Advanced 0-100% fan speed. Set the desired fan speed from 0-100% to meet your ambience and cut down your bill.
- Hand-free Voice Control – Compatible with Amazon Alexa and Google home. Make your hand-free smart home life more convenient and easier.
- You can set the Timer and Schedule of the smart sockets from anywhere. All QR Pixel smart switches can be combined in one group, so you can on/off different switches with one click.
- Real time status Real time display of energy consumption of the device, ensuring energy saving.

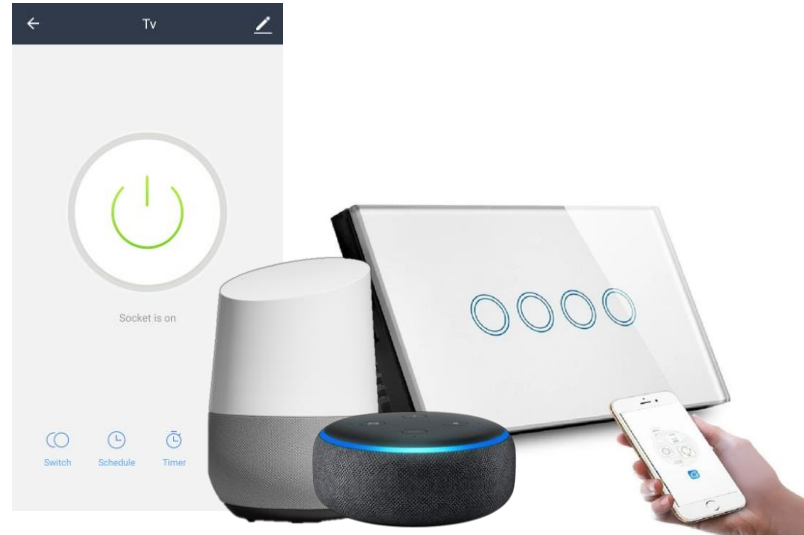
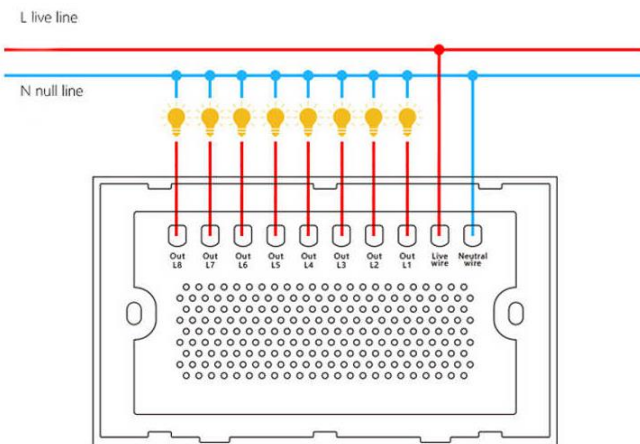
DESCRIPTION:

QR-PIXEL, Smart Wi-Fi Touch Switch lets you turn your connected device On/OFF, with the Qlite App, and with the installation of accessories, in responds to voice commands. It supports 2-way and 3-way communication. It is also able to monitor your energy consumption, allowing you to save power.

SPECIFICATIONS

- Four channel switching controller.
- Universal Socket
- Energy Monitoring Functions.
- Consists of 4 switches.
- Schedule the timing ON/OFF
- Input voltage : AC 110-240 50/60Hz
- Rated Load – 625W/Gang
- Max Load – 2500W
- Wireless Type: WIFI 2.4 Ghz
- Wireless standard :IEEE 802.11 b/g/n
- WIFI range 30M
- Size – 86x86x34 mm.

Wiring Diagram



ADVANTAGES:

- Easy Installation - Quick installation with step-by-step guide.
- Hand-free Voice Control – Compatible with Amazon Alexa and Google home. Make your hand-free smart home life more convenient and easier.
- You can set the Timer and Schedule of the smart sockets from anywhere. All QR Pixel smart sockets can be combined in one group, so you can on/off different sockets with one click.
- Elimination of Vampire draw or phantom load as the Smart Socket identifies devices that consume power even when they are supposed to be powered off.
- Real time status Real time display of energy consumption of the device, ensuring energy saving.

DESCRIPTION:

QR-PIXEL, Smart Wi-Fi Touch Switch lets you turn your connected device On/OFF, with the Qlite App, and with the installation of accessories, in responds to voice commands. It supports 2-way and 3-way communication. It is also able to monitor your energy consumption, allowing you to save power.

SPECIFICATIONS

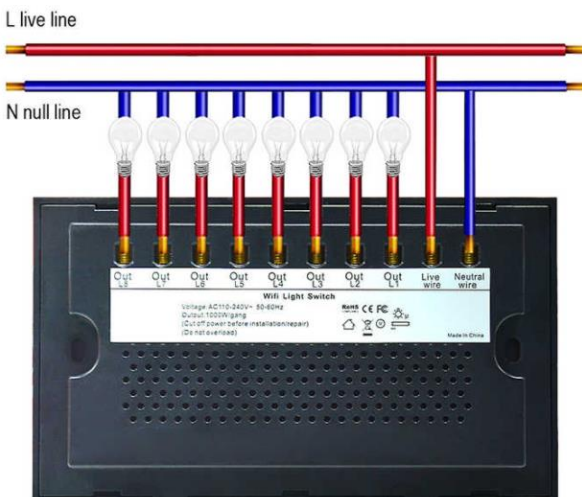
- Single channels switching controller
- Universal Socket
- Energy Monitoring Functions.
- Consists of 8 switches.
- Schedule the timing ON/OFF
- Input voltage : AC 110-240 50/60Hz
- Max Load : 2500W
- Rated Load – 625W/Gang
- Wireless Type: WIFI 2.4 Ghz
- Wireless standard :IEEE 802.11 b/g/n
- WIFI range 30M
- Size – 146x86x40 mm.



ADVANTAGES:

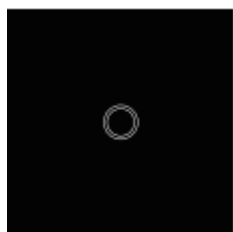
- Easy Installation - Quick installation with step-by-step guide.
- Hand-free Voice Control – Compatible with Amazon Alexa and Google home. Make your hand-free smart home life more convenient and easier.
- You can set the Timer and Schedule of the smart sockets from anywhere. All QR Pixel smart sockets can be combined in one group, so you can on/off different sockets with one click.
- Elimination of Vampire draw or phantom load as the Smart Socket identifies devices that consume power even when they are supposed to be powered off.
- Real time status Real time display of energy consumption of the device, ensuring energy saving.

Wiring Diagram

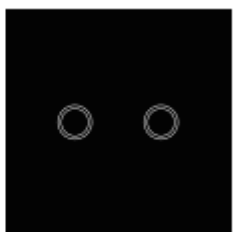


VARIETY:

QR-PIXEL, Smart Wi-Fi Touch Switch is available in 4 variants ->



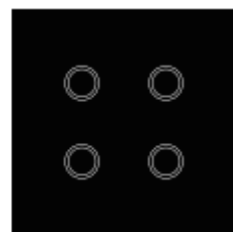
QR-ST1



QR-ST2



QR-ST3



QR-ST4



MIDDLE EAST HEADQUARTERS

QR-Pixel

Unit 1703, 17th Floor

Building 1260, Road 2421

Buisness Bay Building, Juffair 324

Kingdom of Bahrain

Mob : +973 3330 8969

: +973 3421 0943

Email : sales@qr-pixel.com

INDIA HEADQUARTERS

QR-Pixel Pvt LTD

Unit No: A203, First Floor

Block II KSSIDC Complex

Electronic City (Phase I), Bangalore

P.O.Box 560100, Karnataka

India

Mob : +91 91 7774 3932

Email : sales@qr-pixel.com

