

Smart Lighting Solutions

On The Brighter Side

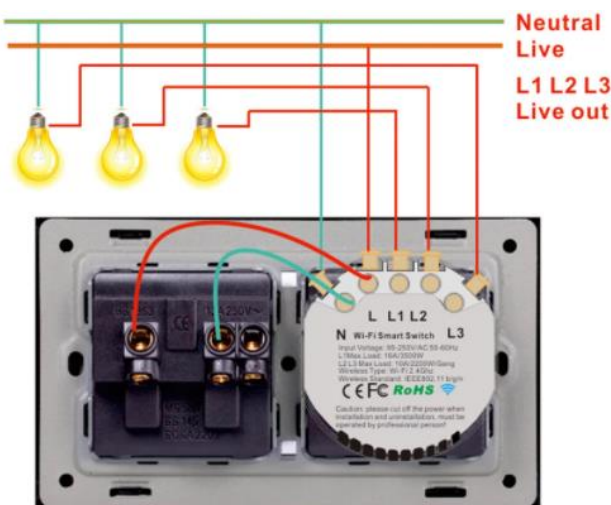
DESCRIPTION:

QR-PIXEL, Smart Wall Socket with 2 Gang switches and USB chargers lets you turn your connected device On/OFF, also adjust the power output according to a schedule, with the Qlite App, and with the installation of accessories, in responds to voice commands, motion or even your location. It can also able to monitor your energy consumption, allowing you to save power.

SPECIFICATIONS

- Two channels switching controller
- Universal Socket
- Energy Monitoring Functions.
- Schedule the timing ON/OFF
- 2 USB Ports (200 mA/5V)
- Input voltage : AC 100-240 50/60Hz
- Max Load : 2000W (Switches) 3500W (Socket)
- Wireless Type: WIFI 2.4 Ghz
- Wireless standard :IEEE 802.11 b/g/n
- WIFI range 30M
- High quality crystal tempered glass panel design, never fade. X

Wiring Diagram



ADVANTAGES:

- Easy Installation - Quick installation with step-by-step guide.
- Hand-free Voice Control – Compatible with Amazon Alexa and Google home. Make your hand-free smart home life more convenient and easier.
- You can set the Timer and Schedule of the smart sockets from anywhere. All QR Pixel smart sockets can be combined in one group, so you can on/off different sockets with one click.
- Consists of Two USB Charging stations and touch switches.
- Elimination of Vampire draw or phantom load as the Smart Socket identifies devices that consume power even when they are supposed to be powered off.
- Real time status Real time display of energy consumption of the device, ensuring energy saving.

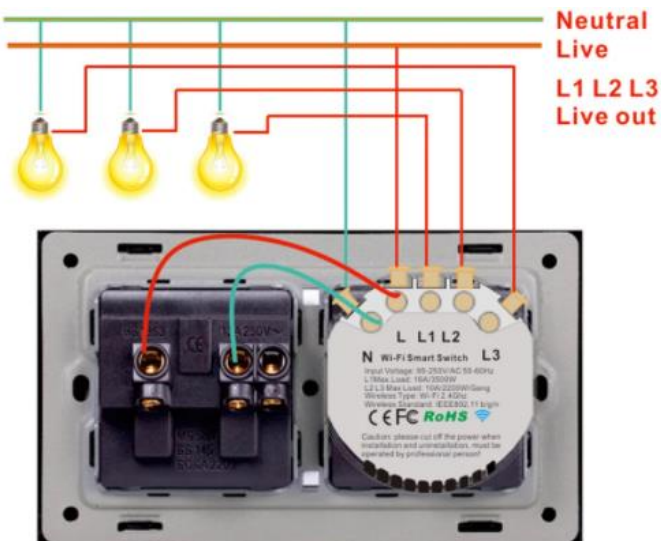
DESCRIPTION:

QR-PIXEL, Smart Wall Socket with 3 Gang switches and USB chargers lets you turn your connected device On/OFF, also adjust the power output according to a schedule, with the Qlite App, and with the installation of accessories, in responds to voice commands, motion or even your location. It can also able to monitor your energy consumption, allowing you to save power.

SPECIFICATIONS

- Three channels switching controller
- Universal Socket
- Energy Monitoring Functions.
- Schedule the timing ON/OFF
- 2 USB Ports (200 mA/5V)
- Input voltage : AC 100-240 50/60Hz
- Max Load : 2000W (Switches) 3500W (Socket)
- Wireless Type: WIFI 2.4 Ghz
- Wireless standard :IEEE 802.11 b/g/n
- WIFI range 30M
- High quality crystal tempered glass panel design, never fade.

Wiring Diagrams



ADVANTAGES:

- Easy Installation - Quick installation with step-by-step guide.
- Hand-free Voice Control – Compatible with Amazon Alexa and Google home. Make your hand-free smart home life more convenient and easier.
- You can set the Timer and Schedule of the smart sockets from anywhere. All QR Pixel smart sockets can be combined in one group, so you can on/off different sockets with one click.
- Consists of Two USB Charging stations and three touch switches.
- Elimination of Vampire draw or phantom load as the Smart Socket identifies devices that consume power even when they are supposed to be powered off.
- Real time status Real time display of energy consumption of the device, ensuring energy saving.



MIDDLE EAST HEADQUARTERS

QR-Pixel

Unit 1703, 17th Floor

Building 1260, Road 2421

Buisness Bay Building, Juffair 324

Kingdom of Bahrain

Mob : +973 3330 8969

: +973 3421 0943

Email : sales@qr-pixel.com

INDIA HEADQUARTERS

QR-Pixel Pvt LTD

Unit No: A203, First Floor

Block II KSSIDC Complex

Electronic City (Phase I), Bangalore

P.O.Box 560100, Karnataka

India

Mob : +91 91 7774 3932

Email : sales@qr-pixel.com