

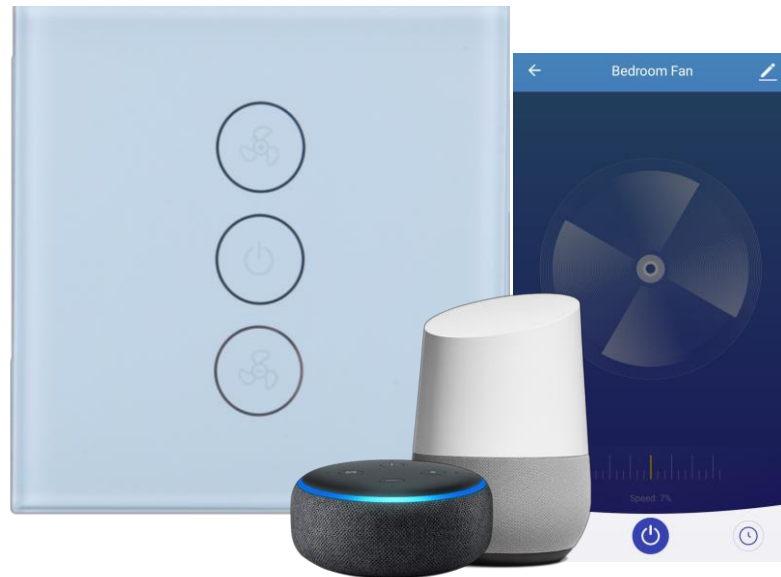
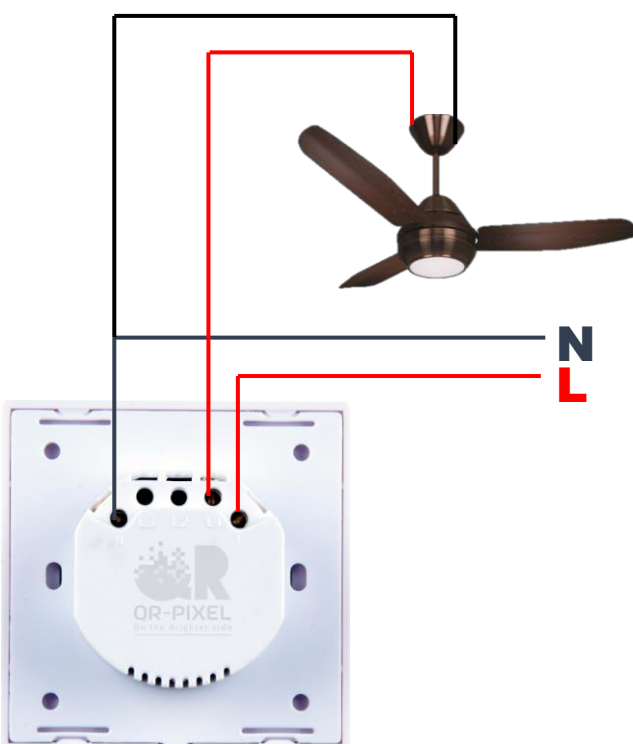
## DESCRIPTION:

QR-PIXEL, Smart Fan Switch lets you turn your Fan On and OFF, it also helps in adjusting the fan speed, according to a schedule, with a smart App, and with the installation of accessories, it responds to voice commands.

## SPECIFICATIONS

- Fan Switching Function.
- Schedule the timing ON/OFF
- Input voltage : AC 110-240 50/60Hz
- Max Load : 400W
- Wireless Type: WIFI 2.4 Ghz
- Wireless standard :IEEE 802.11 b/g/n
- WIFI range 30M
- Module Size: 120 x 76 x 34 mm
- Color - White, Black colored glass touch panel.

## WIRING DIAGRAM



## ADVANTAGES:

- Easy Installation - Quick installation with step-by-step guide.
- Advanced 0-100% fan speed. Set the desired fan speed from 0-100% to meet your ambience and cut down your bill.
- Hand-free Voice Control – Compatible with Amazon Alexa and Google home. Make your hand-free smart home life more convenient and easier.
- Remote Control with Timer and Schedule of the smart Fan switch from anywhere. All QR Pixel smart fan switches can be combined in one group, so you can dim/on/off different fans with one click.
- Real time status display on the Qlite Home app.
- Led Backlit can be controlled during Night-time.
- Glass touch panel control for easier control.

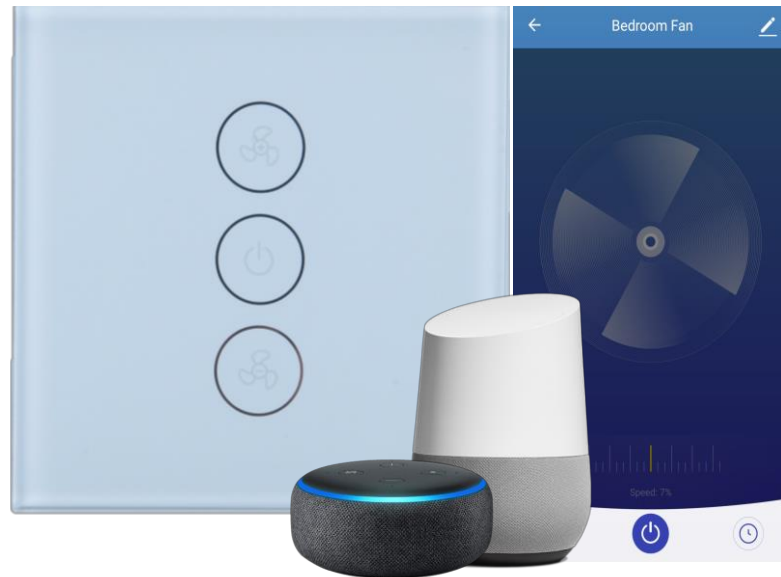
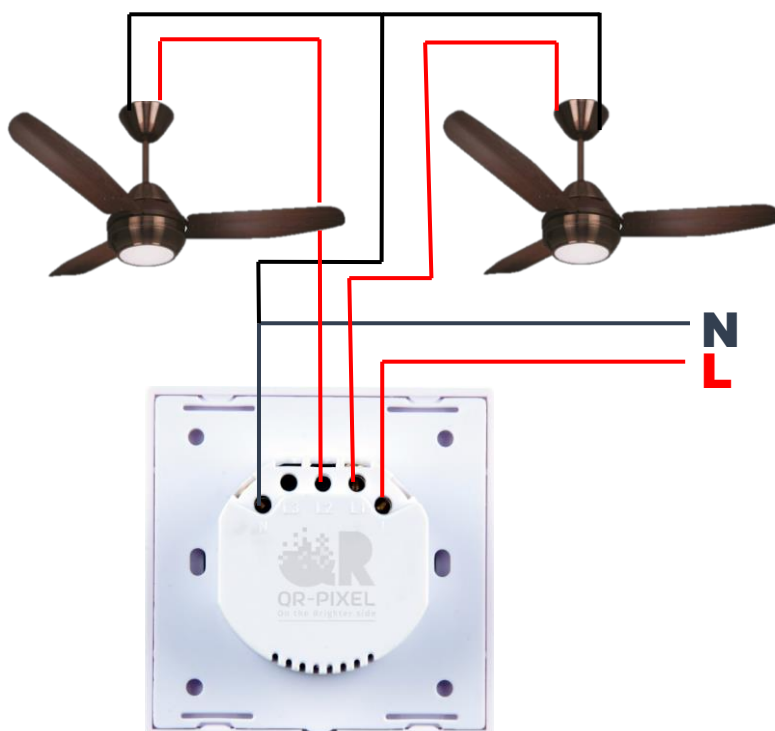
## DESCRIPTION:

QR-PIXEL, two channel Smart Fan Switch lets you turn two of your Fans On and OFF, it also helps in adjusting the fan speed, according to a schedule, with a smart App, and with the installation of accessories, it responds to voice commands.

## SPECIFICATIONS

- Two channel fan switching function.
- Schedule the timing ON/OFF
- Input voltage : AC 110-240 50/60Hz
- Max Load : 400W
- Wireless Type: WIFI 2.4 Ghz
- Wireless standard :IEEE 802.11 b/g/n
- WIFI range 30M
- Module Size: 120 x 76 x 34 mm
- Color - White, Black colored glass touch panel.

## WIRING DIAGRAM



## ADVANTAGES:

- Easy Installation - Quick installation with step-by-step guide.
- Advanced 0-100% fan speed. Set the desired fan speed from 0-100% to meet your ambience and cut down your bill.
- Hand-free Voice Control – Compatible with Amazon Alexa and Google home. Make your hand-free smart home life more convenient and easier.
- Remote Control with Timer and Schedule of the smart Fan switch from anywhere. All QR Pixel smart fan switches can be combined in one group, so you can dim/on/off different fans with one click.
- Real time status display on the Qlite Home app.
- Led Backlit can be controlled during Night-time.
- Glass touch panel control for easier control.

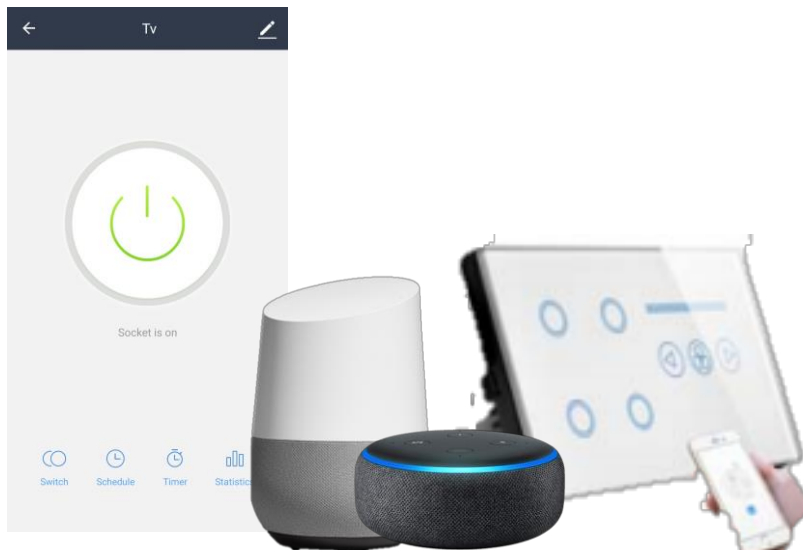
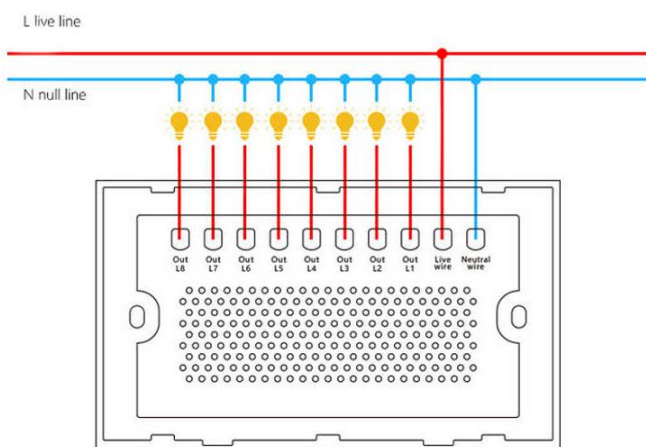
## DESCRIPTION:

QR-PIXEL, Smart Wi-Fi 4 Gang Touch Switch with fan controller lets you turn your connected device On/OFF and can also control the switching and speed of your fan with the Qlite App, and with the installation of accessories, in responds to voice commands. It supports 2-way and 3-way communication. It is also able to monitor your energy consumption, allowing you to save power.

## SPECIFICATIONS

- Four channel switching controller.
- Fan Switching Function.
- Energy Monitoring Functions.
- Schedule the timing ON/OFF
- Input voltage : AC 110-240 50/60Hz
- Rated Load – 600W (Fan Controller) + 2500W (4 Gang Switch)
- Wireless Type: WIFI 2.4 Ghz
- Wireless standard :IEEE 802.11 b/g/n
- WIFI range 30M
- Color - White, Black colored glass touch panel.
- Size – 86x86x34 mm.

## Wiring Diagram



## ADVANTAGES:

- Easy Installation - Quick installation with step-by-step guide.
- Advanced 0-100% fan speed. Set the desired fan speed from 0-100% to meet your ambience and cut down your bill.
- Hand-free Voice Control – Compatible with Amazon Alexa and Google home. Make your hand-free smart home life more convenient and easier.
- You can set the Timer and Schedule of the smart sockets from anywhere. All QR Pixel smart switches can be combined in one group, so you can on/off different switches with one click.
- Real time status Real time display of energy consumption of the device, ensuring energy saving.